

Climat~Gard (XL)

Climat~Gard (XL) is a revolutionary breakthrough in glazing technology providing real savings in energy, money and sound reduction for the homeowner.

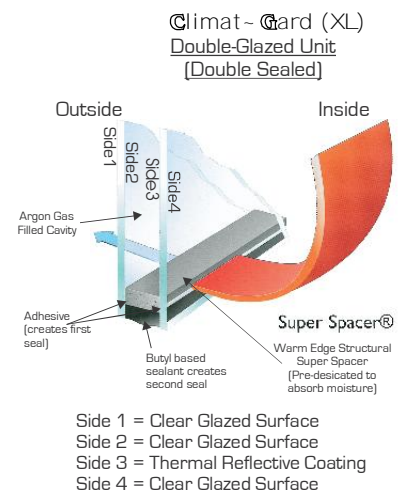
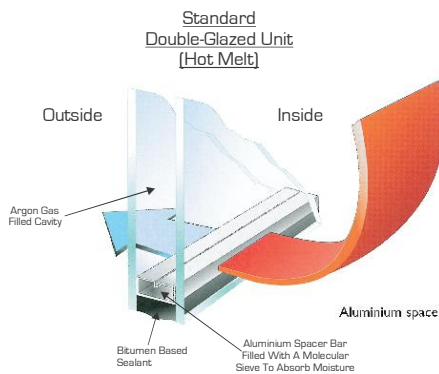
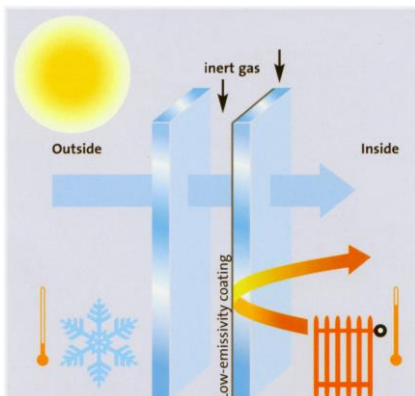
Features and benefits at a glance

- Enhanced thermal reflective coating to side 3 complete with Argon gas infill to cavity lowers the U-Value to an amazing 1.2 W/m²K. Remember the lower the value the greater the efficiency. With a revolutionary structural foam based super spacer to prevent heat loss around the edge of the double glazed unit and increase the noise insulation values.

	Climat~Gard (XL)	Low E Hard Coat Unit	Annealed Unit
“U “ Value [W/m ² K] The lower the value the better the thermal properties	1.2 ☀️☀️☀️	1.9 ☀️☀️	2.7 ☀️
Improved Efficiency against:			
Hard Coat Low E Unit	72%	(Nearly 1.75 times better)	
Annealed Unit	245%	(Nearly 2.5 times better)	

- The unit will help protect the environment lowering energy use.
- Significant reduction will be made on heating bills by the increased thermal values of Climat~Gard (XL).
- The unit provides a transparent coating which allows the glass to be virtually clear unlike most other inferior products, which provide shadows and unsightly blemishes.
- Works even in the shade and even through the night.
- 10 year guarantee against condensation between the two panes of glass.
- Increases sound insulation over a standard double glazed unit by up to 2dB.

The units are sealed together using a ‘Double Sealed’ system. Unlike the single seal system (Hot Melt) most commonly used, which is based on melting a bitumen based sealant, the double sealed system uses two seals with the final seal ensuring a long lasting weather tight finish. This system is not as vulnerable to temperature changes as the single seal system and will therefore last considerably longer.



In certain weather conditions and changing seasons, the amount of external condensation may increase (in particular north facing elevations). This is a natural occurrence and shows that the thermal coatings are working. The condensation will naturally evaporate as the external condition change and will cause no damage to the products. This type of occurrence is unusual and will normally only last for a short period whilst climate conditions show extreme changes (e.g. such as Autumn to Winter or Winter to Spring) though not exclusively.